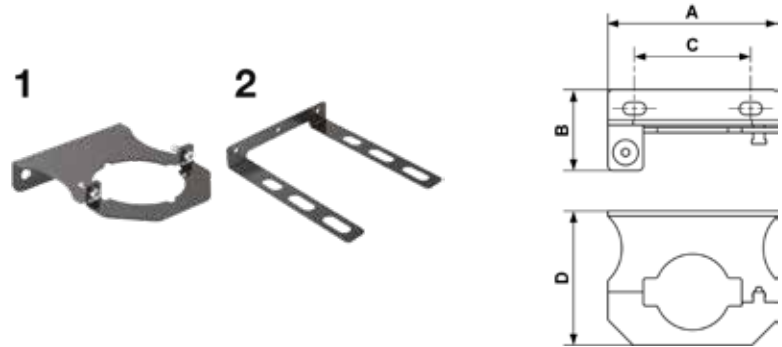


ACCESSORIES FOR PPS NETWORK ASSEMBLY

PPS1 CIRSI - Valve bracket



Part number	For pipe OD	Net weight (Kg)
1. PPS1 CIRSI16	1/2"	0.062
1. PPS1 CIRSI20	3/4"	0.062
1. PPS1 CIRSI25	1"	0.077
1. PPS1 CIRSI32	1 1/4"	0.07
1. PPS1 CIRSI40	1 1/2"	0.147
1. PPS1 CIRSI50	2"	0,135
1. PPS1 CIRSIAL63	2 1/2"	0.22
1. PPS1 CIRSIAL80	3"	0.265
1. PPS1 CIRSIAL100	4"	0.295
2. PPS1 CIRSI160	6"	0.8